

# LED Global Base Installation Instructions

## ⚠ Warnings

- ◆ Observe all precautions usually followed when dealing with high voltage equipment when installing or servicing this light fixture.
- ◆ Disconnect power before installing or servicing.
- ◆ The product must be installed in accordance with the applicable installation code by a person familiar with the construction and operation of the product and the hazards involved.
- ◆ Min 90 °C supply conductors.
- ◆ Protect all wiring connections with approved insulators rated 300V/150 °C .
- ◆ Line voltage must be according to the different models to select the corresponding voltage.

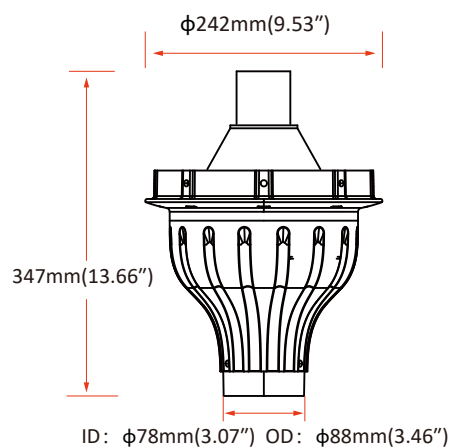
### SAVE THESE INSTRUCTIONS FOR FUTURE REFERENCE

- ◆ Upon receipt of this fixture, thoroughly inspect it for any damage. If any is found, the carrier should be notified and held accountable.

### Fixture Performance

MODEL	DIMENSION D*H	VOLTAGE	Power Max.	Weight	ID ( Base )	OD ( Base )
BASE	φ242 *347mm φ9.53*13.66 inch	120-277V AC	100W	2.3KG	φ78mm 3.07 inch	φ88mm 3.46 inch

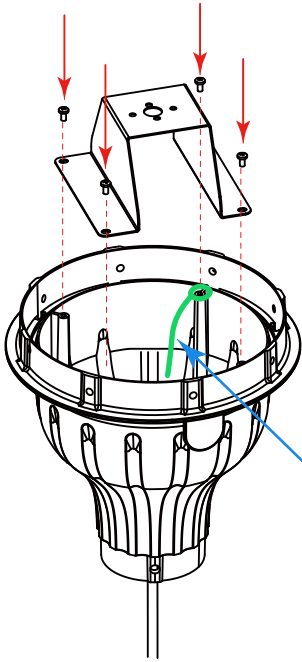
### Line drawings



# LED Global Base Installation Instructions

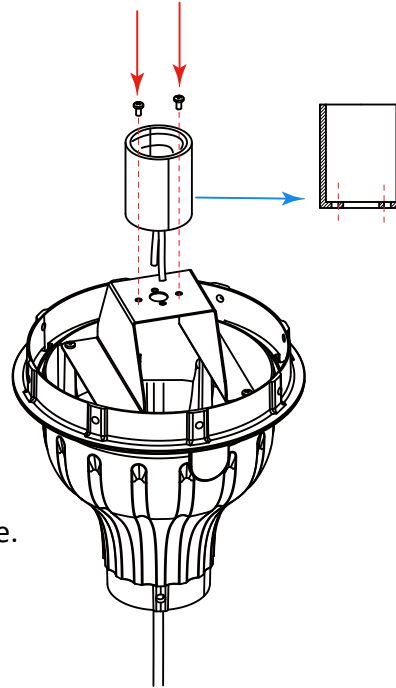
## Installation Steps

- ① Fix the bracket to the base with 4\*M4 screws.

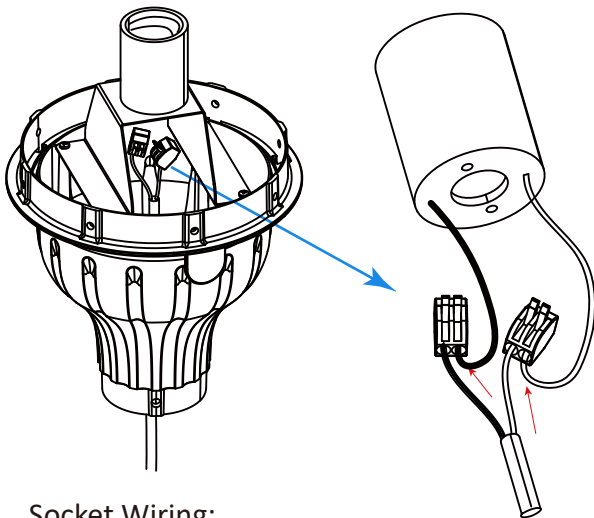


When fix the bracket, simultaneously fix the ground wire.

- ② Fix the required socket (E26/E39) to the bracket with screws.

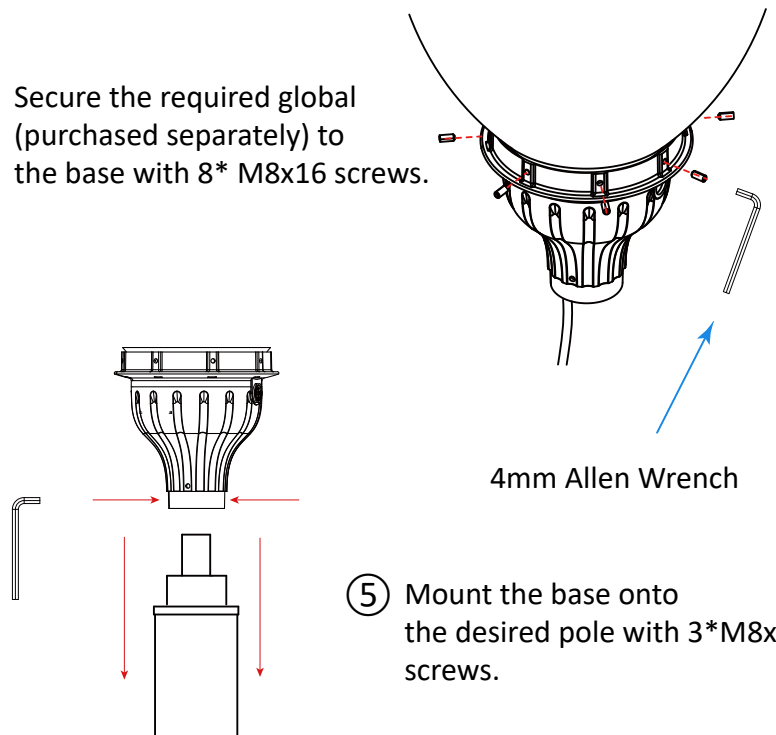


- ③ Connect the socket wires to the Input wires by plugging them together.



Socket Wiring:  
Black "L(Live)"  
White "N(Neutral)"

- ④ Secure the required global (purchased separately) to the base with 8\* M8x16 screws.



4mm Allen Wrench

- ⑤ Mount the base onto the desired pole with 3\*M8x7 screws.