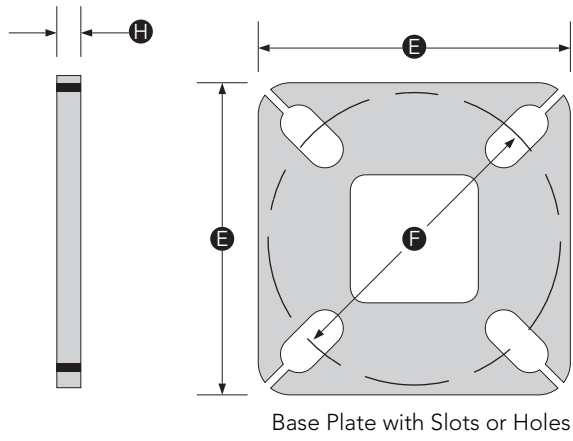


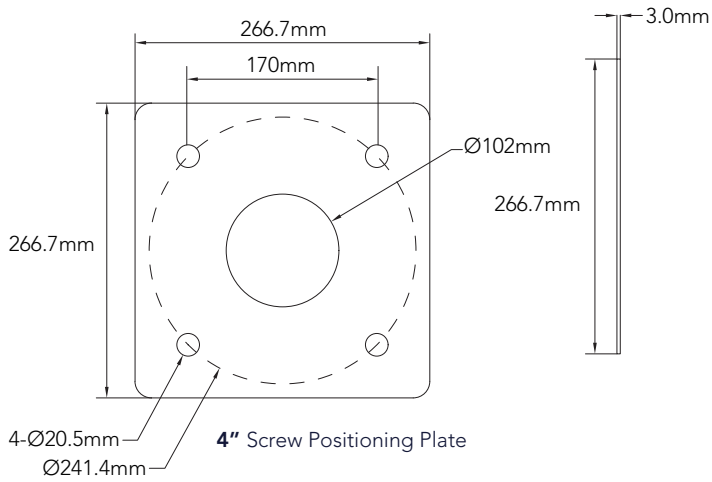


# ANCHORAGE DETAIL

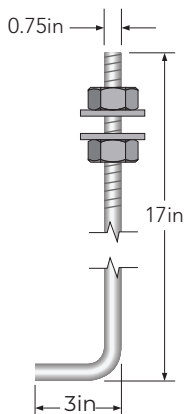


Anchor Base size	Wall thick H	Base Plate Square E	Bolt Circle Range (in)	Bolt Circle F	Bolt Projection
4"	0.75"	10.5"	8-11	9.5"	3.75"

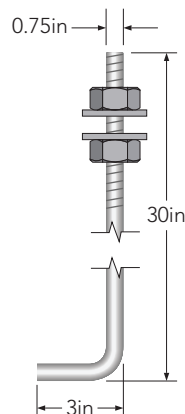
# DIMENSIONS



# ANCHOR BOLTS (sold separately)



**A1** Anchor Bolt, suited for 10ft, 15ft, 20ft



**A2** Anchor Bolt  
Suited for 25ft