



# CONSTANT WATTAGE LED EMERGENCY BACK-UP DRIVER



## DESCRIPTION

LED Emergency Back-Up Driver | Standard Side-Exit Wire Leads | 12W Output

<b>DRIVER TYPE:</b> Constant Wattage LED Emergency
<b>MAX. OUTPUT POWER:</b> 12W
<b>INPUT VOLTAGE:</b> 120–277Vac ±10%
<b>OUTPUT VOLTAGE:</b> 40–300Vdc
<b>OUTPUT CURRENT:</b> Load Dependent
<b>WARRANTY:</b> 5 Years

## PRODUCT FEATURES

- Illuminates entire LED load at reduced output under emergency mode
- One-piece design with metal housing
- 2-in-1 LED test switch and indicator light included
- Not for use with dimmers
- Evaluated to UL 924 requirements
- 90-minute operation in emergency mode
- UL listed
- Operating temperature: 0°C/32°F to 50°C/122°F
- Input frequency: 50/60 Hz

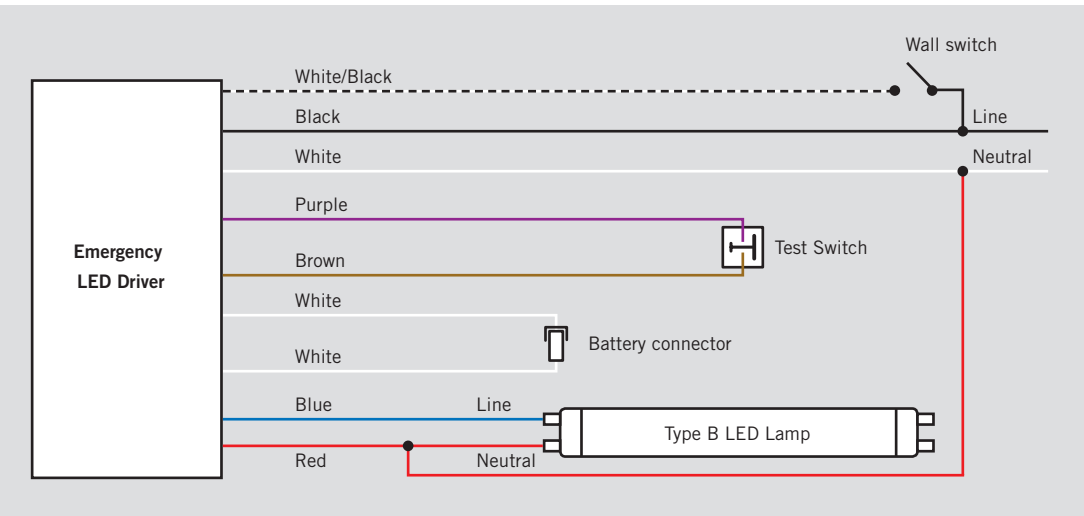
*Emergency Pack does not meet CEC T20 requirements. Not to be sold or offered for sale in California, except when sold wholesale in California for final retail sale outside the state.*

## ELECTRICAL SPECIFICATIONS

Family	INPUT CHARACTERISTICS			OUTPUT CHARACTERISTICS			
	Input Voltage	Power Factor	Max. Current	Max. Output Power	Rated Output Current	Output Voltage	Output Current
12W	120–277Vac	≥0.35	100mA @120V	10–12W	Load Dependent	40–100Vdc	200–750mA

*Emergency pack designed to deliver 12W to a constant current LED load. Approximate output is 1200 lumens, assuming a nominal minimum efficacy of 100lm/W.*

## WIRING DIAGRAM



## WIRE SPECIFICATIONS

Wire Color	Wire Length mm
Black/White	650 mm
Black	800 mm
White	800 mm
Purple	1,200 mm
Brown	1,200 mm
White	320 mm
White	320 mm
Blue	1,200 mm
Red	1,200 mm