

Assembly & Installation Instructions

CAUTION: Read instructions carefully and turn electricity off at main circuit breaker oanel befor beainnina inst9llatioo.

531/598 Series

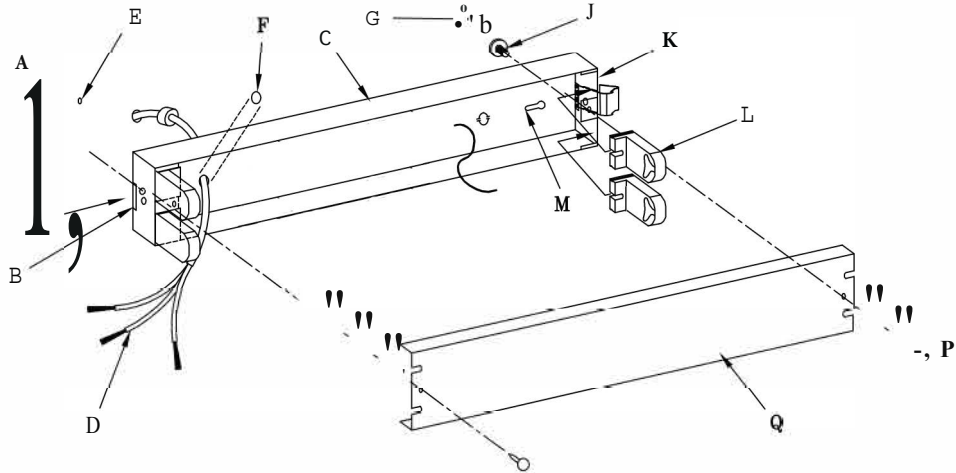
WARNING - IF ANY SPECIAL CONTROL DEVICES ARE USED WITH THIS FIXTURE, FOLLOW THE INSTRUCTIONS CAREFULLY TO ASSURE FULL COMPLIANCE WITH N.E.C. REQUIREMENTS. IF THERE ARE ANY QUESTIONS, CONTACT A QUALIFIED ELECTRICAL CONTRACTOR.

CAUTION: All glass is fragile, use care when handling lamp(s) or other glass components.

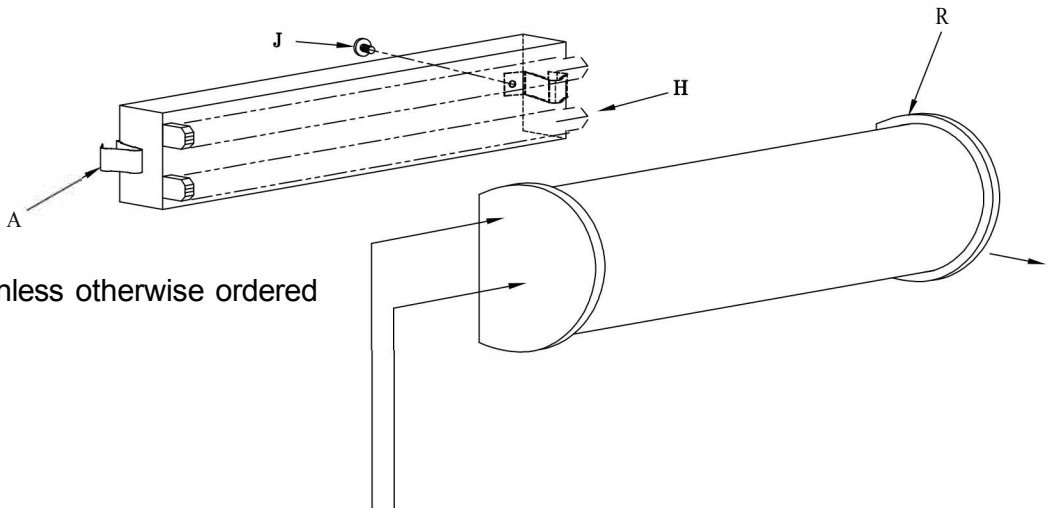
WARNING - This product contains chemicals known to the State of California to cause cancer, birth defects and /or other reproductive harm. Thoroughly wash hands after installing, handling, cleaning, or otherwise touching this product.

ASSEMBLY STEPS

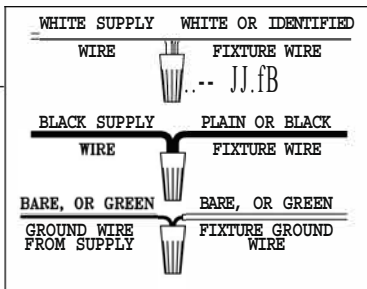
1. A → B
2. J → A,C
3. D → F,
4. G → E
5. L → K
6. p → Q,C
7. M → G
8. H → L
9. R → A



D, E & G
(Not Furnished)



LED Bulbs come standard unless otherwise ordered



NOTE: TO REMOVE DIFFUSER APPLY PRESSURE TO ONE END CAP AND SHIFT DIFFUSER TO ONE SIDE AS SHOWN THEN PULL OTHER END CAP OFF FIXTURE ASSEMBLY.

Instructions and specificafioi:s subject to change without notice