

Description

Our pier-mounts are cylindrical shaped, injection molded posts. They seamlessly fit with our Post Top Fitters to elegantly light walkways, piers, decks and porches.

Shatterproof and UV stabilized for durable outdoor use these units are sold separately in individual quantities or master packs. Both styles available in White and Black.

Applications

- Walkways
- Piers
- Decks
- Porches

Features

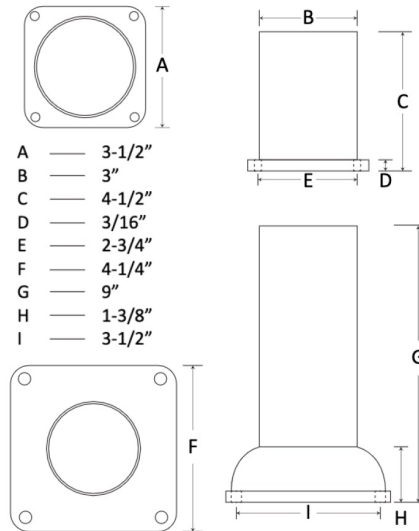
- UV Stablized Composite Construction
- Field Cuttable
- White or Black Finish
- Fits most Post Tops for 3" Poles

Warranty

- 1 Year



Dimensions



ORDERING GUIDE

EXAMPLE: PMB-4

Family	Color	Length			
PM	B - Black W - White	4 - 4.5" 9 - 9"			